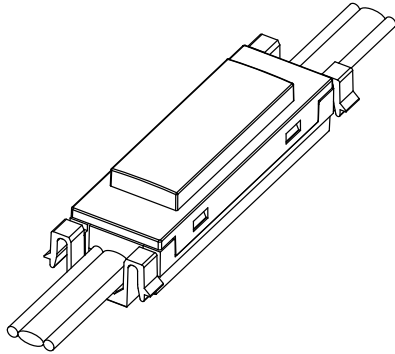


Installation instructions



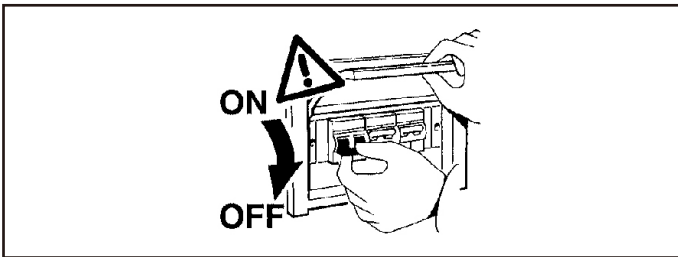
LED Point Light PP0003 SERIES



MODEL
PP0003-LED0.9M-RGBW
PP0003-LED1.5M-RGBW
PP0003-LED1.8M-RGBW

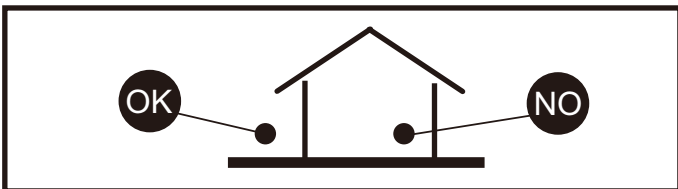
EN WARNING:
THE SAFETY OF THIS FIXTURE IS GUARANTEED ONLY IF YOU COMPLY WITH THESE INSTRUCTIONS; REMEMBER TO CONSERVE IN A SAFE PLACE.

CH 警告
为确保该装置安全，请遵守操作指示；并于安全场所放置。



EN N.B.: WHEN INSTALLING THE SYSTEM, STRICTLY COMPLY WITH ALL REGULATIONS ON INSTALLATION FORCE

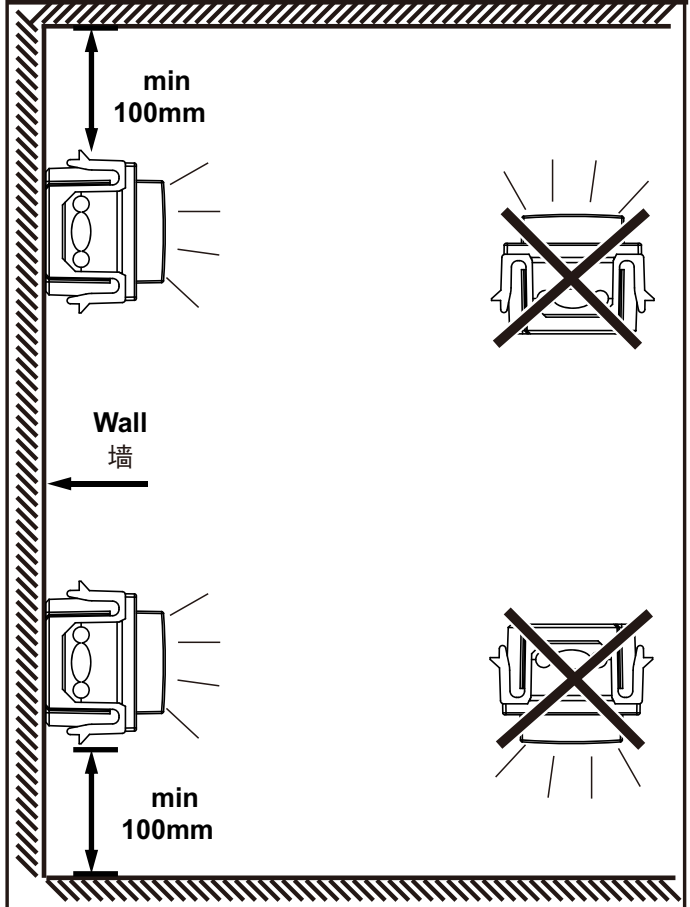
CH 注意： 在安装系统时请谨守设备安装规定。



EN USE THE PRODUCT IN A WELL VENTILATED ENVIRONMENT WITH A TEMPERATURE OF -20°C-50°C.

CH 在通风良好，温度-20°C-50°C的环境下使用产品。

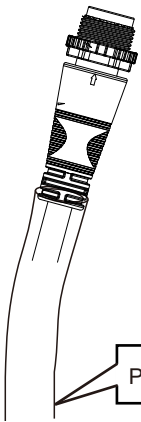
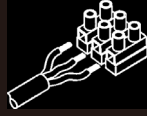
Installation position



Installation step

- 1 Fix the rear cover of the profile on the mounting carrier
1 固定型材后盖
- 2 Lay the power line and network cable within rear back of the profile
2 固定线材
- 3 Cover the profile
3 固定面盖
- 4 Fix the surface cover and rear cover at both sides with screws
4 固定防滑螺丝

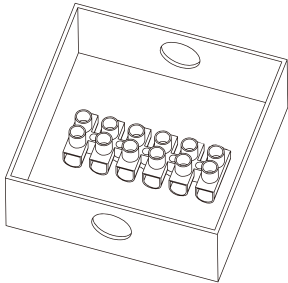
Wiring step



PVC Line : Ø 6.5mm

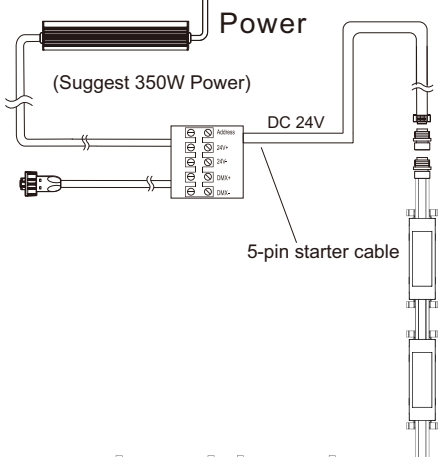
Power
DC 24V(INPUT)
Red: +
Black: -
Green: DA
Yellow: DB
Blue: Address

N.B.: Connect the power supply as required



IP66 JUNCTION BOX
NB: Junction box waterproof grade is not lower than lamps waterproof grade

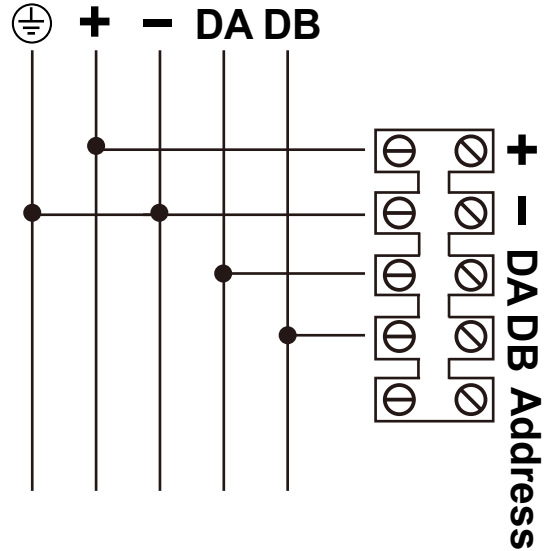
AC 220V



Power
DC 24V(INPUT)
Red: +
Black: -
Green: DA
Yellow: DB
Blue: Address

Max. connected qty./最大连接数量
88PCS

DMX512



Note1: First Light does not connect to Address Line

Note2: Other light connect to Address Line

注1: 首灯不接写码线;

注2: 其他灯接写码线

Warning



- EN N.B.: 1. Once the glass is broken, the product can no longer be used, and the manufacturer must be contacted for replacement.
2. In order to ensure the bright effect of the lighting fixture, please clean it regularly and use a soft cloth to wipe it.
3. When the user connects to the power supply, use a junction box with an IP rating not less than the IP rating of the lighting fixture, and the junction box should have inherent wire device, the junction box is provided by the user.
4. The fasteners used in wiring are not provided by our company, please use standard parts.
5. Connect the power supply according to the specification requirements, otherwise the damage to the lighting fixture will not be covered by the warranty.
6. This product has no lightning protection function, and damage to the lighting fixture caused by lightning strikes is not covered by the warranty.
7. Mechanical damage caused by human factors is not covered by the warranty.
8. This product complies with international requirements such as EN60598
9. The right to interpret the above statement belongs to our company.

- CN 1, 一旦玻璃破碎后产品将不能再使用, 须联系生产商予以更换。
2, 为了保证灯具明亮效果, 请定期进行清洁, 灯具清洁时请使用软布擦拭。
3, 用户在接入电源时, 使用IP等级不小于灯具本身的IP等级的接线盒, 且接线盒内应有固有导线装置, 接线盒由用户自行提供。
4, 接线时所使用的紧固件, 本公司不提供, 请使用标准件。
5, 按照要求规范连接电源, 否则造成的灯具损坏不在质保范围内。
6, 本产品不具备避雷功能, 由雷击造成的灯具损坏不在质保范围内。
7, 人为因素造成的机械性破坏不在质保范围内。
8, 本产品符合EN60598等国际要求。
9, 以上说有解释权归本公司所有。